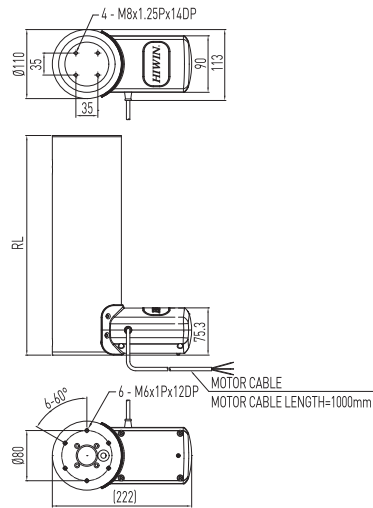


Linear Actuator

5.LAC Series

5-1. HIWIN LAC Series (1)

LAC1



- RL: Stroke ≤ 300, RL=310
Stroke 301-400, RL=360
Stroke 401-500, RL=410
RL=Retracted length
S:Stroke length

Table 5.1 Specifications

Screw type	ACME
Weight*	5.6kg
Protection	IP54
Compatible controller	Compatible with all controllers (*Notice the type of connector: Audio/DIN 4pin)
Working temp.	+5°C-40°C

* Stroke length 400mm

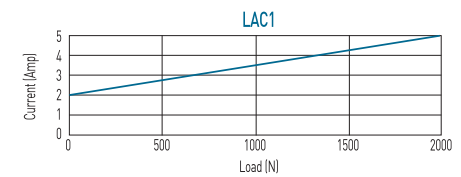
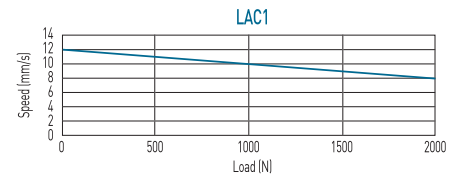
Option:

- (1) Hall sensor
- (2) Potentiometer 10k ohm
- (3) Plug : DIN 4PIN plug / Stereo plug / Mono plug
- (4)UL version

Table 5.2 LAC1 Specifications

Model	Thrust max. (N)	Pulling max. (N)	Holding max. (N)	Speed (mm / s) Load = Max. / Load = 0	Standard stroke (mm) : S	Duty cycle %	Current max. (A) 24VDC	Potentiometer Resolution (ohm/mm)	Hall Sensor Resolution (mm/pulse)
LAC1-1	2000	500	2000	8 / 12	300 400 500	10	5	6.67	0.064

* Min. input power = Voltage x Current max.

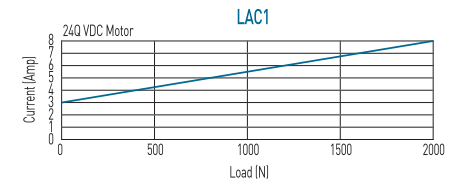
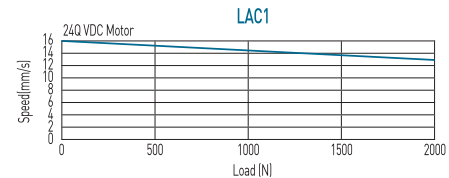


**Note: The test results are obtained by using the 24VDC power supply.

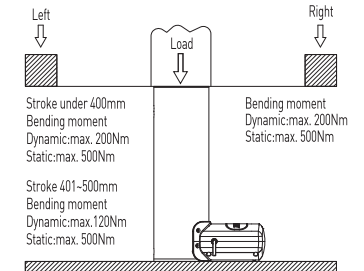
Table 5.3 LAC1(24Q) Specifications

Model	Thrust max. (N)	Pulling max. (N)	Holding max. (N)	Speed (mm / s) Load = Max. / Load = 0	Standard stroke (mm) : S	Duty cycle %	Current max. (A) 24VDC	Potentiometer Resolution (ohm/mm)	Hall Sensor Resolution (mm/pulse)
LAC1-1	2000	500	2000	13/16	300 400 500	10	8	6.67	0.064

* Min. input power = Voltage x Current max.



LAC1 Bending moment illustration(Stroke 400mm)



Ordering Information

